



**EZ Mop 360°
Parts Manual**

Thank you for your purchase of the new EZ Mop 360. Our Customer Service Department would like to hear from you. If you see any errors, omissions or something that needs clarification in this Parts Catalog please let us know. We are working hard towards continually improving our processes to bring you the best you deserve. Please copy the form below, fill out and comment on how you found our catalog.

Thank you!

The Minuteman International Team

Name: _____

Title: _____

Company Name: _____

Address: _____

Country: _____

Type of equipment or model number: _____

Comments: _____

Please return to:

Customer Service Manager
Minuteman International, Inc.
14N845 U.S. Route 20
Pingree Grove, Illinois 60140 USA

Phone: (800) 323-9420

Email: tech@minutemanintl.com

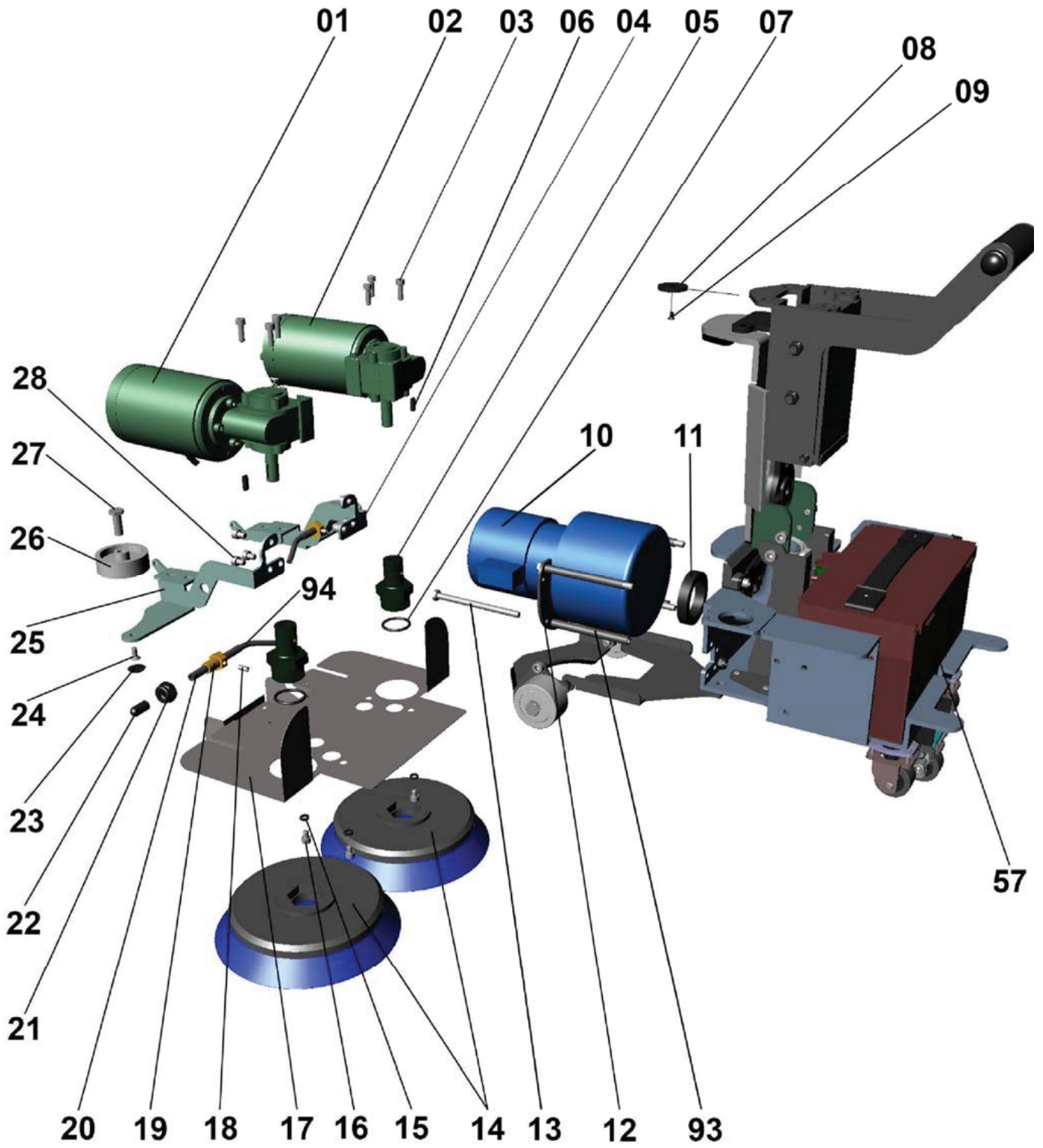
Table of Contents

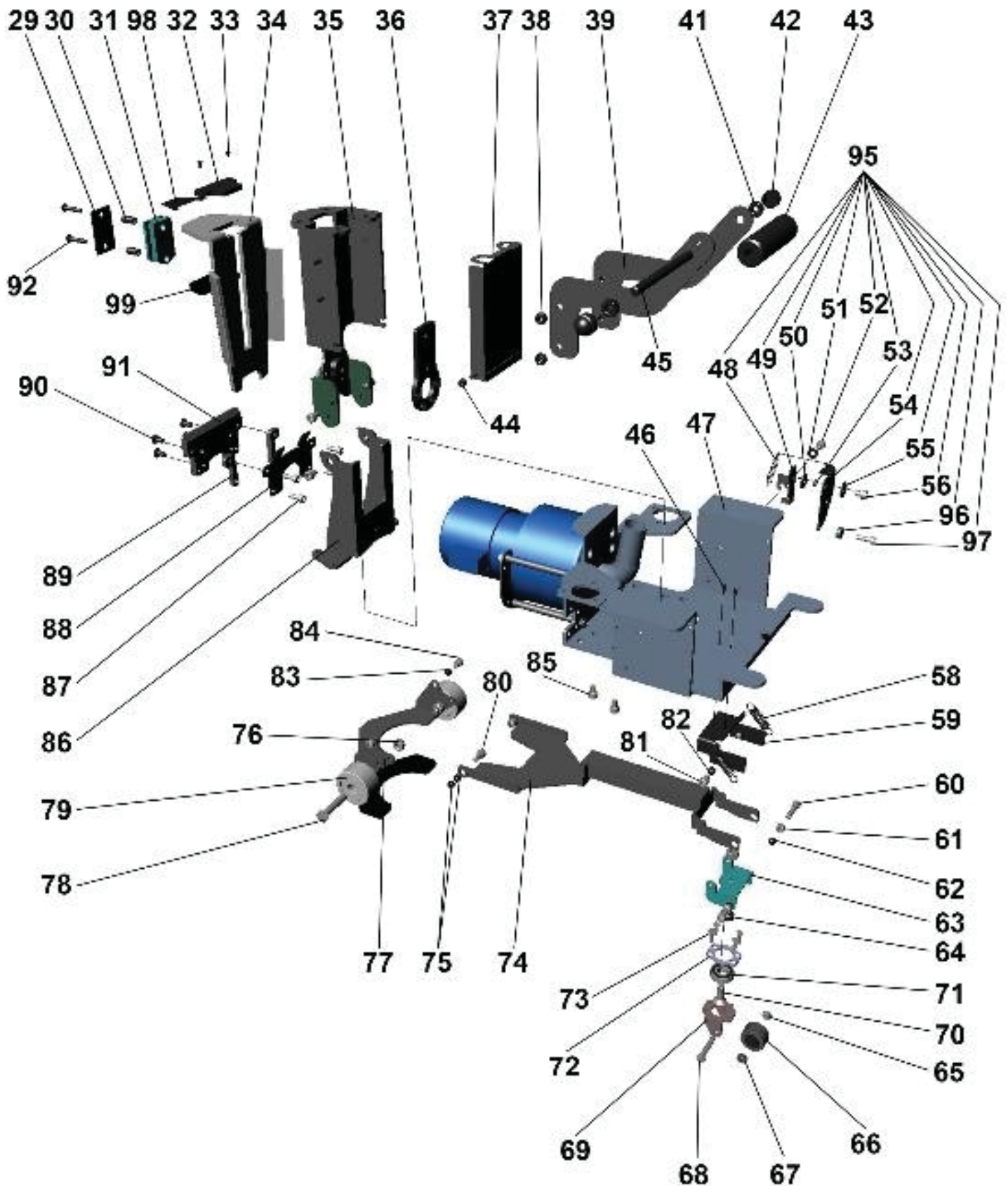
TECHNICAL SPECIFICATIONS.....	3
CHASSIS ASSEMBLY	4
TANK ASSEMBLY	10
SQUEEGEE ASSEMBLY.....	12
HANDLE AND RECOVERY ASSEMBLY	14
MEMBRANE CONTROL GROUP	16
ACCESSORIES	18
WARRANTY.....	20

TECHNICAL SPECIFICATIONS

Model EZ MOP 360° (MM14QP)

TECHNICAL SPECIFICATIONS	
LITHIUM ION BATTERY	36 VOLTS
RUN TIME	1 HOUR
SCRUB WIDTH	410 MM
SCQUEEGEE WIDTH	17.7 INCHES
PAD / BRUSH PRESSURE	48.5 LBS
BRUSH SPEED	210 RPM
PRODUCTIVITY	5,400 SQUARE FEET / HOUR
SOLUTION TANK	.8 GALLONS
RECOVERY TANK	1.3 GALLONS
VACUUM MOTOR	36 VOLT / .40 H.P.
NOISE LEVEL	66 DBA



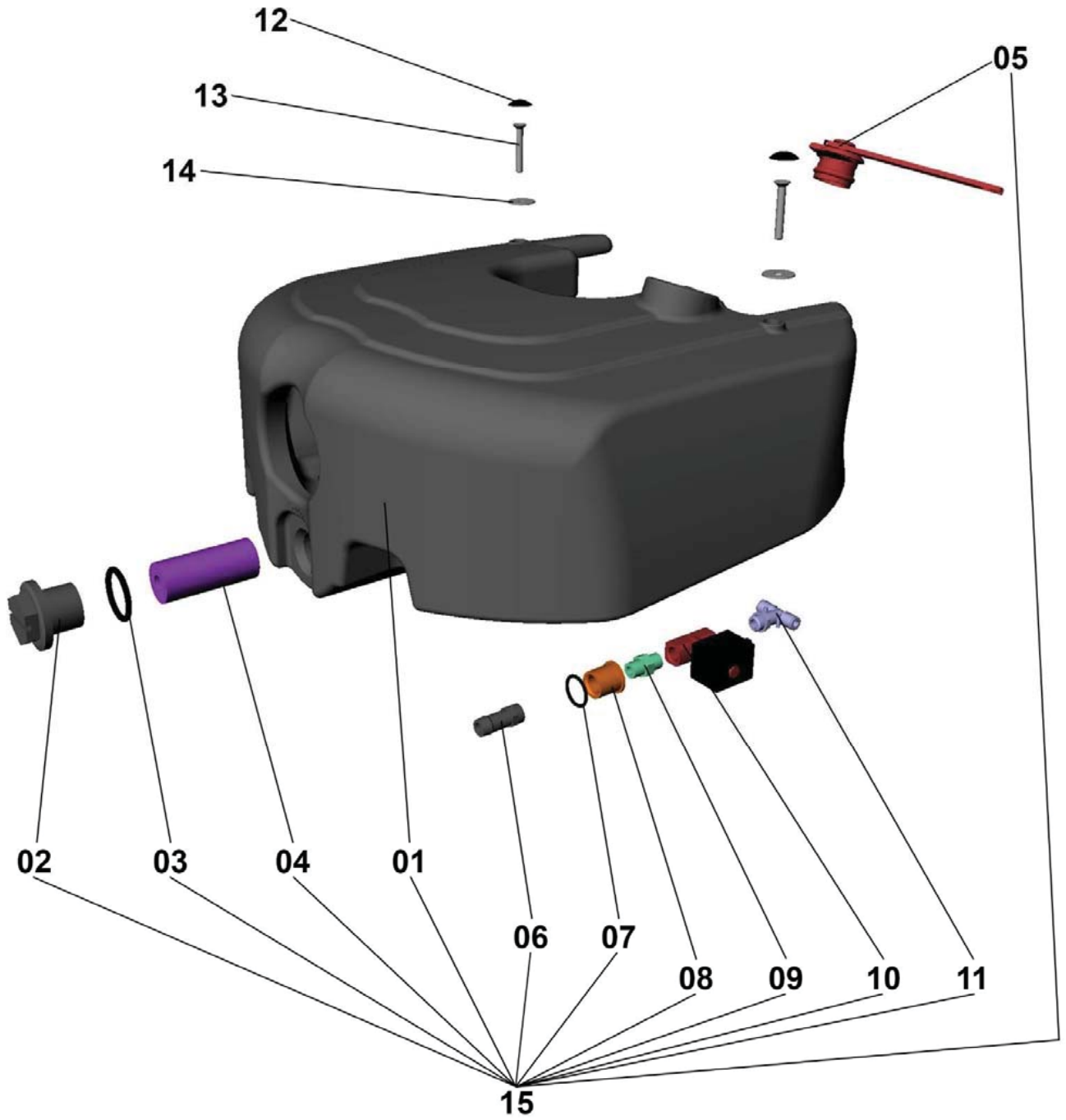


CHASSIS ASSEMBLY			
ITEM	PART NO.	DESCRIPTION	QUANTITY
1	830159	LEFT BRUSH MOTOR	1
2	830158	RIGHT BRUSH MOTOR	1
3	830200	SCREW	6
4	830234	RIGHT WHELL SUPPORT	1
5	830134	BRUSH COUPLING	2
6	830157	SHAFT KEY	2
7	831100	BRUSH COUPLING O-RING	1
8	830119	MAGNET	1
9	830207	SCREW	1
10	830142	KIT VAC MOTOR	1
11	831101	GASKET KIT MIRA	1
12	830160	VAC MOTOR PLATE	1
13	830211	SCREW	4
14	830186	BRUSH PPL 170/200	2
	830187	BRUSH PES 170/200 (OPT.)	2
	830188	(OPT.)	2
	830189	BRUSH TYNEX 170/200 (OPT.)	2
15	830245	WASHER	4
16	830194	SCREW	4
17	830162	PROTECTION PLATE	1
18	830210	SCREW	2
19	830110	WATER HOSE BUSH	2
20	830109	HOSE NOOZLE	2
21	830126	RING NUT	2
22	830120	HOSE CAP	2
23	830115	SCREW CAP	2
24	830197	SCREW	2

CHASSIS ASSEMBLY			
ITEM	PART NO.	DESCRIPTION	QUANTITY
25	830235	LEFT WHELL SUPPORT	1
26	830180	ADJUSTING WHEEL SQG	2
27	830101	BUMPER WHEEL SHAFT	2
28	830194	SCREW	6
29	831102	COVER PLATE	1
30	830108	BUSH 6x8x15,5	2
31	831103	SLED	1
32	830165	MAGNET PLATE	1
33	830207	SCREW	2
34	830161	HANDLE LOCK	1
35	831104	HANDLE SUPPORT	1
36	831105	REINFORCED PLATE	1
37	830143	SUPPORT COVER	1
38	831106	RING NUT	2
39	830168	HANDLE PLATE	2
41	831106	RING NUT	2
43	830111	HANDLE	1
44	830127	RING NUT	2
45	831107	SCREW	1
46	830199	SCREW	2
47	830249	CHASSIS	1
48	830241	SPRING	1
49	831108	BRACKET	1
50	830257	WASHER	1
51	830179	WASHER	1
52	830194	SCREW	1
53	830219	SPRING BUSH	1

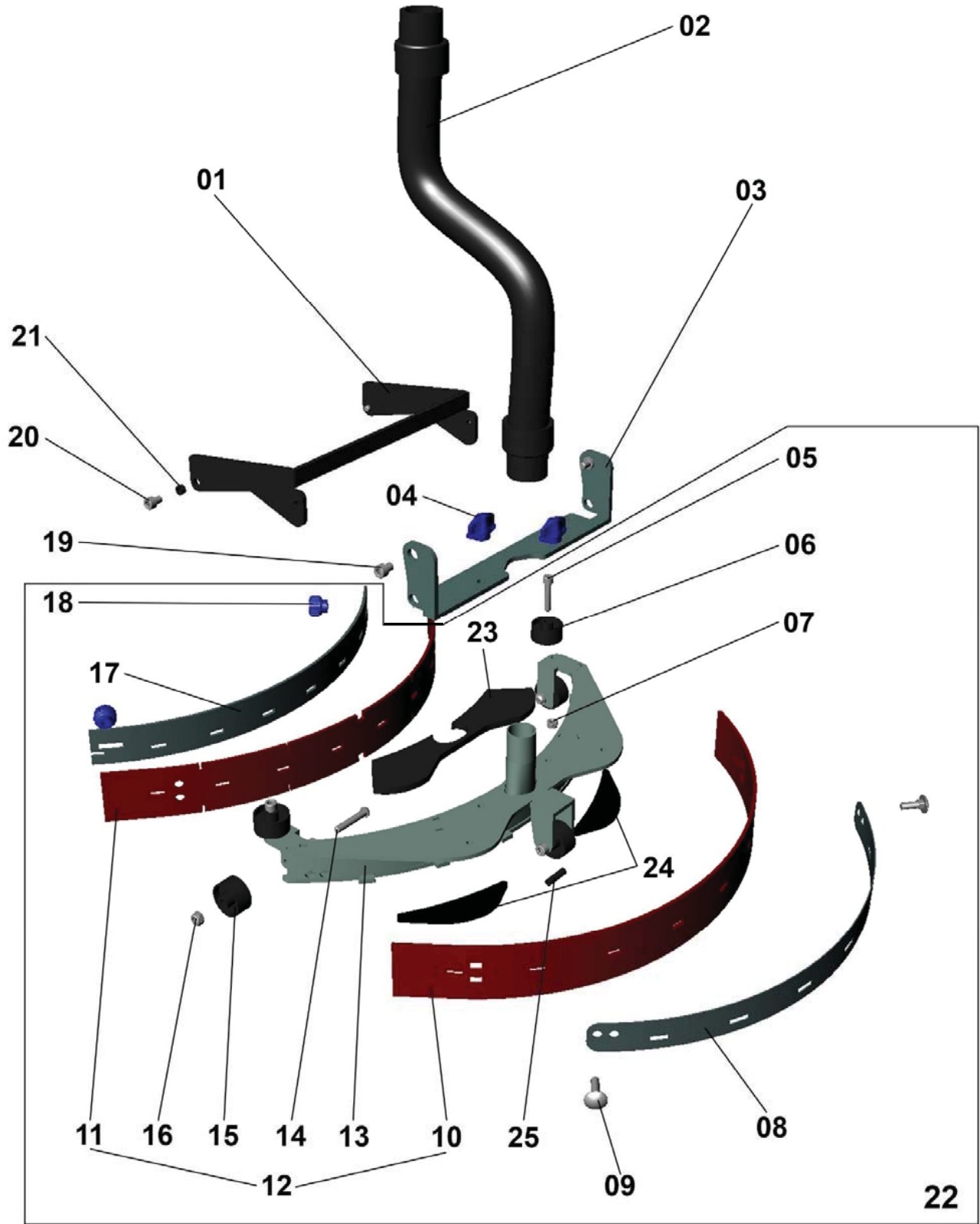
CHASSIS ASSEMBLY			
ITEM	PART NO.	DESCRIPTION	QUANTITY
54	831109	HOOK	1
55	830257	WASHER	1
56	830194	SCREW	1
57	830135	BATTERY PACK 36 VOLT	1
58	830240	SPRING	2
59	830237	SPRING SUPPORT	1
60	830251	SCREW	2
61	830124	RING NUT	2
62	830107	BUSH	2
63	830236	ROTATING BRACKET	1
64	830221	BUSH	1
65	830225	RING NUT	1
66	830247	WHEEL D=30	1
67	830220	SPACER BUSH	1
68	830256	SCREW	1
69	830238	WHEEL SUPPORT	1
70	830252	SCREW	1
71	830224	BEARING	1
72	830243	BEARING HOLDER	1
73	830258	SCREW	4
74	830233	LEVER	1
75	830107	BUSH	4
76	830125	RING NUT	1
77	830232	FRONT PLATE	1
78	830254	SCREW	2
79	830246	WHEEL D=50	2
80	830253	SCREW	2

CHASSIS ASSEMBLY			
ITEM	PART NO.	DESCRIPTION	QUANTITY
81	830251	SCREW	2
82	830107	BUSH	2
83	830107	BUSH	2
84	830194	SCREW	2
85	830204	SCREW	4
86	830144	MAIN SUPPORT	1
87	830200	SCREW	4
88	830167	HANDLE FIXING DOOR	1
89	830147	SIDE GUIDE	2
90	830205	SREW	4
91	830145	HANDLE GUIDE SUPPORTO	1
92	831110	SCREW	2
93	830109	HOSE NOZZLE	4
94	831111	HOSE NOZZLE	2
95	831112	HOOK ASSEMBLY	1
96	831113	BEARING	1
97	831114	SCREW	4
98	831115	LOCKING ADHESIVE	1
99	831116	MOVEMENT GASKET	1



TANK ASSEMBLY			
ITEM	PART NO.	DESCRIPTION	QTY
1	830183	CLEAN WATER TANK	1
2	830169	DRAIN CAP WATER TANK	1
3	830155	O-RING	1
4	831117	CLEAR WATER FILTRE	1
5	831118	CLEAN WATER CAP	1
6	830172	RACCORD 1/4" D=10	1
7	830156	O-RING	1
8	830106	WATER HOSE BUSH	1
9	830170	NIPPLES M-M 1/4"	1
10	830129	SOLENOID VALVE COMPL	1
11	830171	"T" RACCORD	1
12	830115	SCREW CAP	2
13	830196	SCREW	2
14	830178	WASHER	2
15	831119	KIT CLEAN WATER TANK	1

SQUEEGEE ASSEMBLY



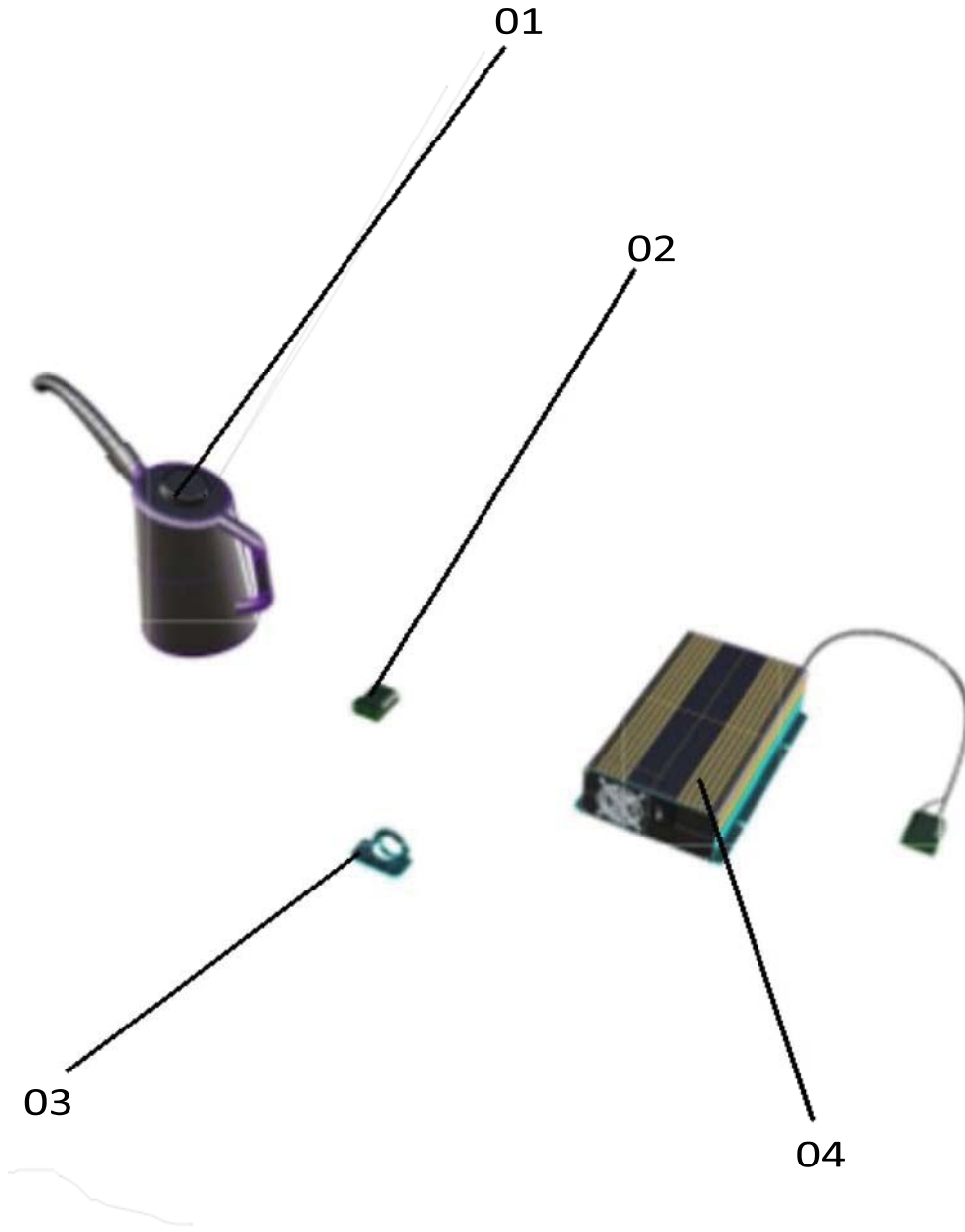
SQUEEGEE ASSEMBLY			
ITEM	PART NO.	DESCRIPTION	QTY
1	830239	SQUEEGEE SUPPORT	1
2	830193	VACUUM HOSE	1
3	830229	SQG CONNECTION PLATE	1
4	830118	KNOB MOD 1065/F M6	2
5	830202	SCREW	2
6	830181	SQUEEGEE WHEEL MIRA	5
7	830124	RING NUT	2
8	831120	REAR SPRING BLADE SQG MIRA	1
9	830201	SQUARE HEAD SCREW	2
10	830175	REAR SQG BLADE IN POLIURETHAN	1
	830176	REAR SQG BLADE LYNATEX MIRA	
11	830173	FRONT SQG BLADE POLIURETHAN	1
	830174	FRONT SQG BLADE LYNATEX	
12	830136	KIT FRONT AND REAR SQG BLADE POLIU	1
	830137	KIT FRONT AND REAR SQG BLADE LYNATEX	
13	831160	SQUEEGEE BODY MIRA	1
14	830212	SCREW	2
15	830181	SQUEEGEE WHEEL MIRA	5
16	830124	RING NUT	2
17	830163	SQUEEGEE FRONT METAL BLADE	1
18	830117	KNOB SQG M6	2
19	830194	SCREW	2
20	830194	SCREW	2
21	830107	BUSH 6x8x4,6	2
22	831161	SQUEEGEE ASSEMBLY	1
23	831162	SQUEEGEE ADHESIVE	1
24	831116	MOVEMENT GASKET	1
25	831163	REAR WHEEL TUBE	1



HANDLE AND RECOVERY ASSEMBLY			
ITEM	PART NO.	DESCRIPTION	QTY
1	830248	RECOVERY TANK	1
2	830184	HANDLE	1
3	830192	VACC HOSE	1
4	830140	TUBE WITH CURVED	1
5	831164	FIXING KNOB	2
6	830131	VACC FILTRE	1
7	831165	GASKET	1
8	830116	ELASTIC RUBBER COUPLING	2
9	830122	SPACER	2
10	830213	SCREW	4
11	830208	SCREW	4
12	830114	METAL CLAMP	1
13	830102	RECOVERY TANK CAP	1
14	831166	KIT RECOVERY TANK	1
15	831167	FIXING KNOB	2
16	831168	HANDLE AIR GASKET	1
17	830275	FLOAT KIT	1
18	830278	CONTACT KIT	1



MEMBRANE CONTROL GROUP			
ITEM	PART NO.	DESCRIPTION	QTY
1	830132	MEMBRANE CONTROL	1
2	830209	SCREW	4
3	830112	MAIN WIRING	1
4	830113	ENGINE WIRING	1
5	831169	FLOATING WIRING	1



ACCESSORIES			
ITEM	PART NO.	DESCRIPTION	QTY
1	830261	FILL BOTTLE	1
2	830128	RED PLUG	1
3	830259	SOLUTION KEY	1
4	830216	BATTERY CHARGE	1

Minuteman International Made Simple Commercial Limited Warranty

REVISION Q EFFECTIVE 4/10/18

Minuteman International, Inc. warrants to the original purchaser/user that the product is free from defects in workmanship and materials under normal use. Minuteman will, at its option, repair or replace without charge, parts that fail under normal use and service when operated and maintained in accordance with the applicable operation and instruction manuals. All warranty claims must be submitted through and approved by factory authorized repair stations.

This warranty does not apply to normal wear, or to items whose life is dependent on their use and care, such as belts, cords, switches, hoses, rubber parts, brushes, electrical motor components or adjustments. Parts manufactured by Minuteman are covered by and subject to the warranties and/or guarantees of their manufacturers. Please contact Minuteman for procedures in warranty claims against these manufacturers.

Special warning to purchaser -- Use of replacement filters and/or pre-filters not manufactured by Minuteman or its designated licensees, will void all warranties expressed or implied. A potential health hazard exists without original equipment replacement.

All warranted items become the sole property of Minuteman or its original manufacturer, whichever the case may be.

Minuteman disclaims any implied warranty, including the warranty of merchantability and the warranty of fitness for a particular purpose. Minuteman assumes no responsibility for any special, incidental or consequential damages.

This limited warranty is applicable only in the U.S.A. and Canada, and is extended only to the original user/purchaser of this product. Customers outside the U.S.A. and Canada should contact their local distributor for export warranty policies. Minuteman is not responsible for costs or repairs performed by persons other than those specifically authorized by Minuteman. This warranty does not apply to damage from transportation, alterations by unauthorized persons, misuse or abuse of the equipment, use of non-compatible chemicals, or damage to property, or loss of income due to malfunctions of the product.

If a difficulty develops with this machine, you should contact the dealer from whom it was purchased.

This warranty gives you specific legal rights, and you may have other rights which vary from state to state. Some states do not allow the exclusion or limitation of special, incidental or consequential damages, or limitations on how long an implied warranty lasts, so the above exclusions and limitations may not apply to you.

Model	Parts	Labor	Poly	Travel**
Cord Electric Group	5yrs	3yrs	12yrs	90 days
Battery Auto Scrubbers (incl. on board charger)	5yrs	3yrs	12yrs	90 days
Battery and Manual Sweepers	3yrs	3yrs	12yrs	90 days


Exceptions.....

Model	Parts	Labor	Poly	Travel**
Port A Scrub, all models (incl. on board charger)	1yr	6months	12yrs	90 days
A3S Blower	1yr	1yr	0	0
Phenom Dual Motor Upright Vacuums	2yrs	2yrs	0	0
Explosion Proof Vacuum	1yr	1yr	0	0
Propane Burnisher	1yr	1yr	0	90 days
E14BQP and E14115 scrubber	1yr	1yr	12yrs	90 days
EZ-Mop	1yr	1yr	0	90 days
ROS-17	1yr	1yr	0	90 days
**Travel, 2 hours max				

<i>Stand-alone Battery Chargers:</i>	One year
<i>Replacement Parts:</i>	Ninety days
<i>Batteries:</i>	0-3 months full replacement, 4-12 months pro-rate
<i>Polypropylene Plastic Tanks:</i>	12yr warranty, no additional labor

“Excellence Meets Clean”

**Minuteman is a Full Line Manufacturer of Sweepers and Scrubbers,
for Industrial Facilities.**



14N845 U.S. Route 20, Pingree Grove, IL 60140 USA
Phone (800) 323-9420 - www.minutemanintl.com
A Member of the Hako Group